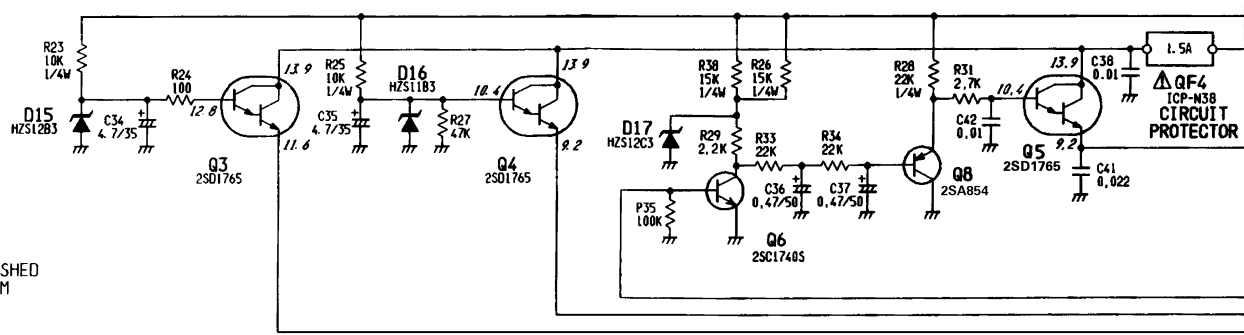


PG1	
1	AC CLOCK
2	CAPST. CONT
3	A-30V
4	HEAT. (DISP.)
5	HEAT. (DISP.)
6	GND
7	GND
8	A14V
9	GND
10	GND
11	A5V
12	V. CAPST.
13	A44V
14	A9V
15	A12V

To SERVO  
PG651  
VIA  
CN851  
(PS-10)

**micro**  
ELECTRONIC  
Dragoljub Janković  
micro@ppt.yu  
031/512 402 063/83 11 606



NOTE: VOLTAGES INSIDE DASHED AREA ARE TAKEN FROM HOT GROUND.

\* VOLTAGE: STOP MODE

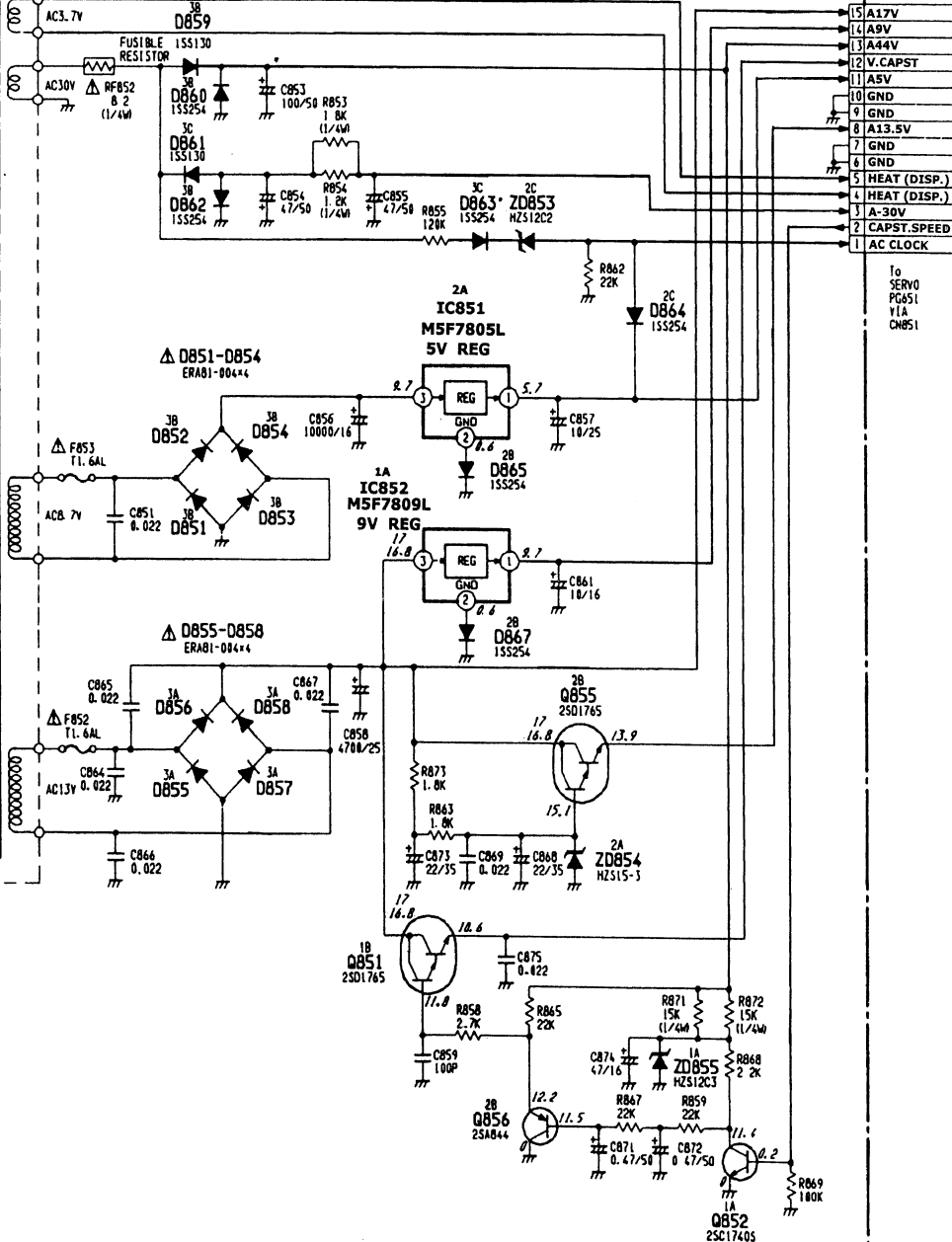
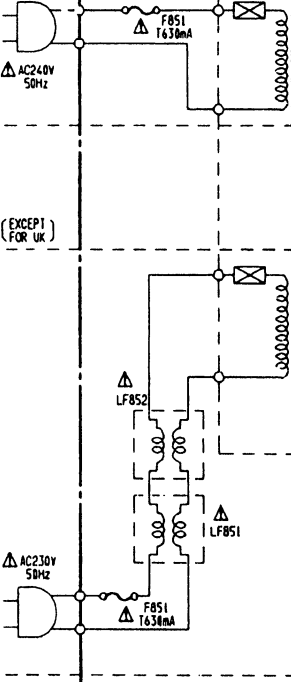
△ T851  
POWER  
TRANSFORMER

PG851

(FOR UK)

(EXCEPT  
FOR UK)

△ AC230V  
50Hz

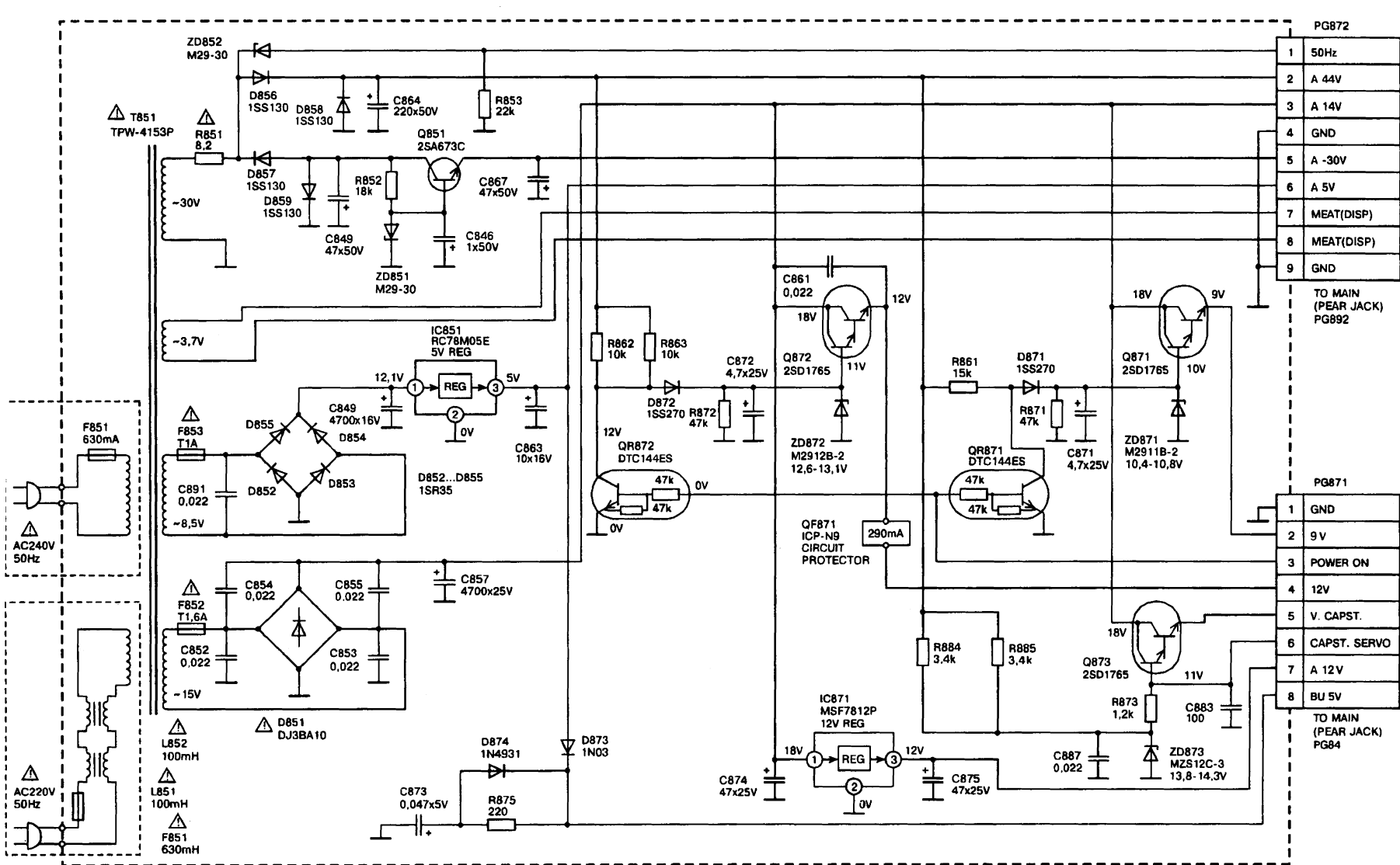


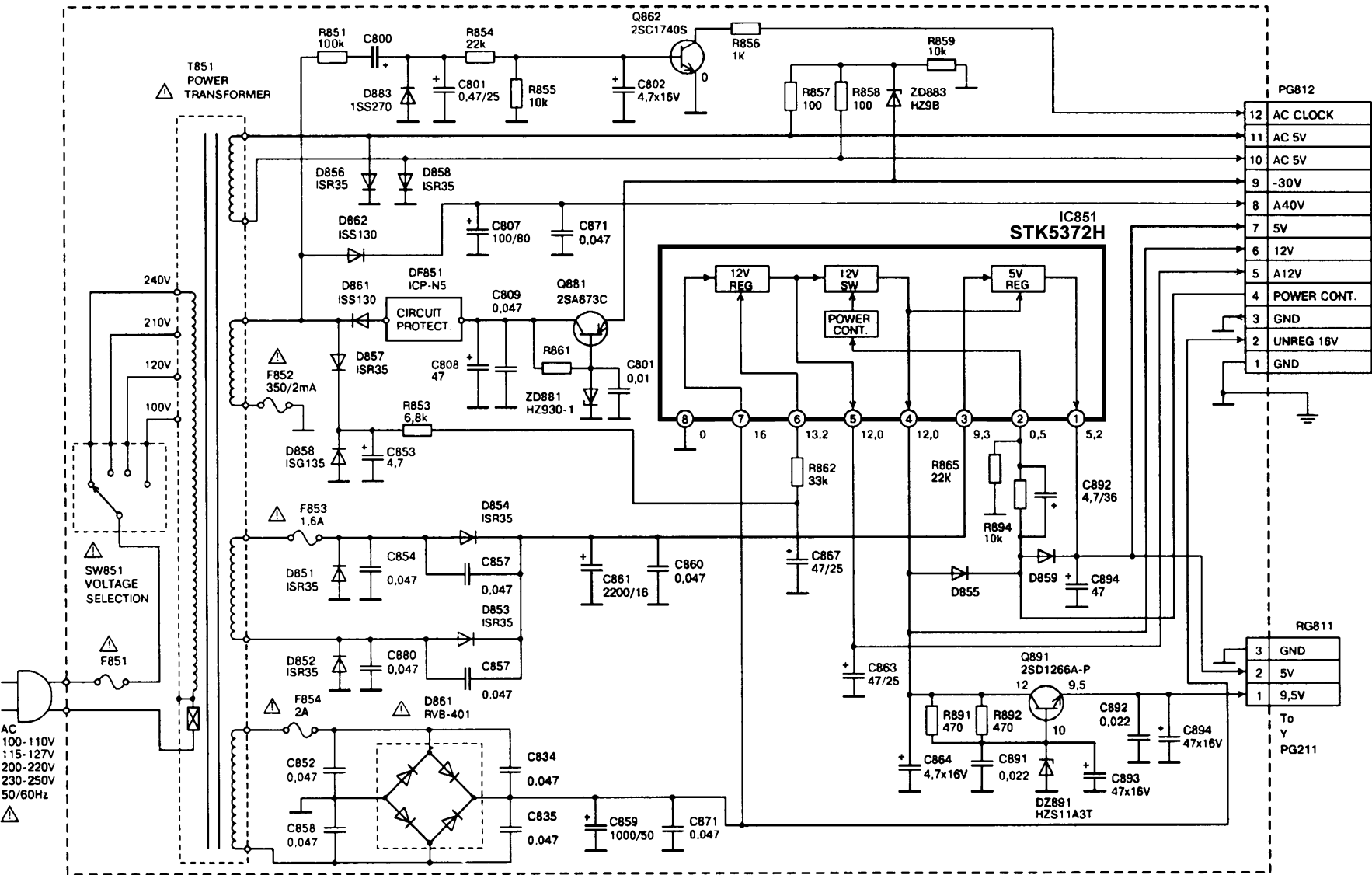
To  
SERVO  
PG851  
Y1A  
CN851

- 15 A17V
- 14 A9V
- 13 A44V
- 12 V.CAPST
- 11 ASV
- 10 GND
- 9 GND
- 8 A13.5V
- 7 GND
- 6 GND
- 5 HEAT (DISP.)
- 4 HEAT (DISP.)
- 3 A-30V
- 2 CAPST.SPEED
- 1 AC CLOCK







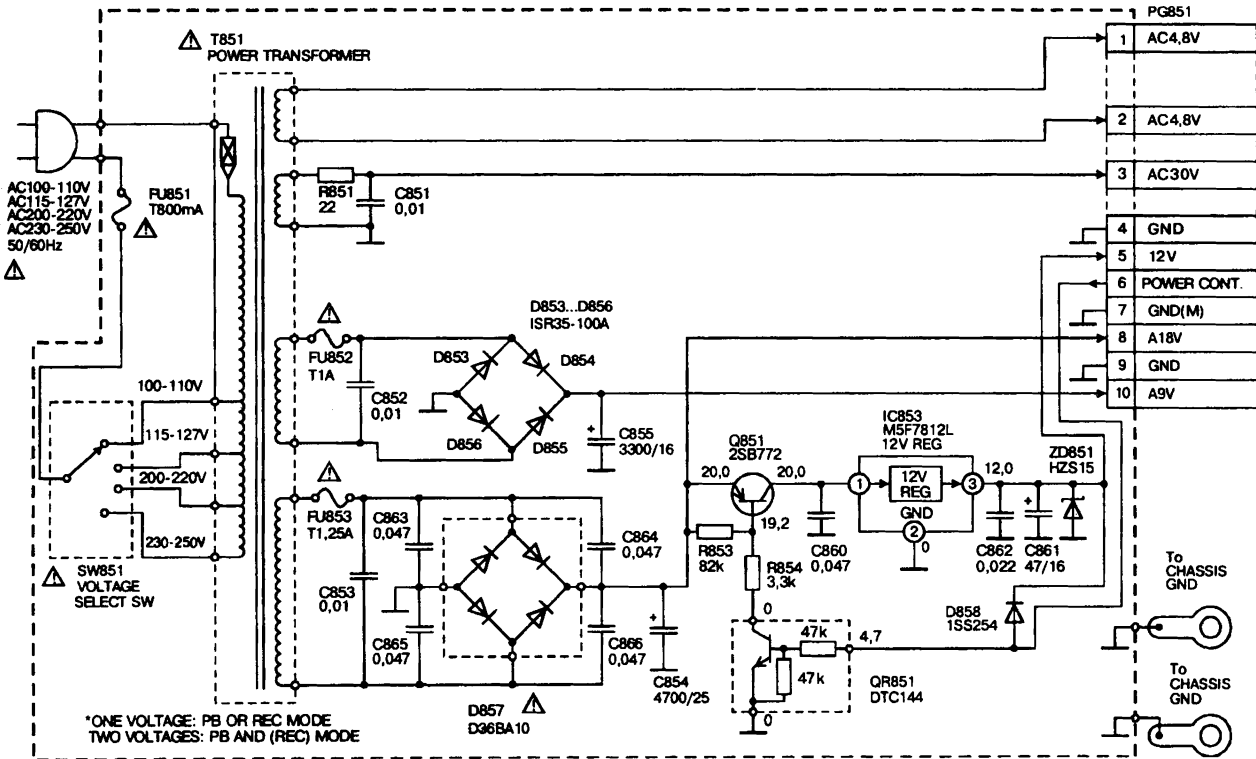


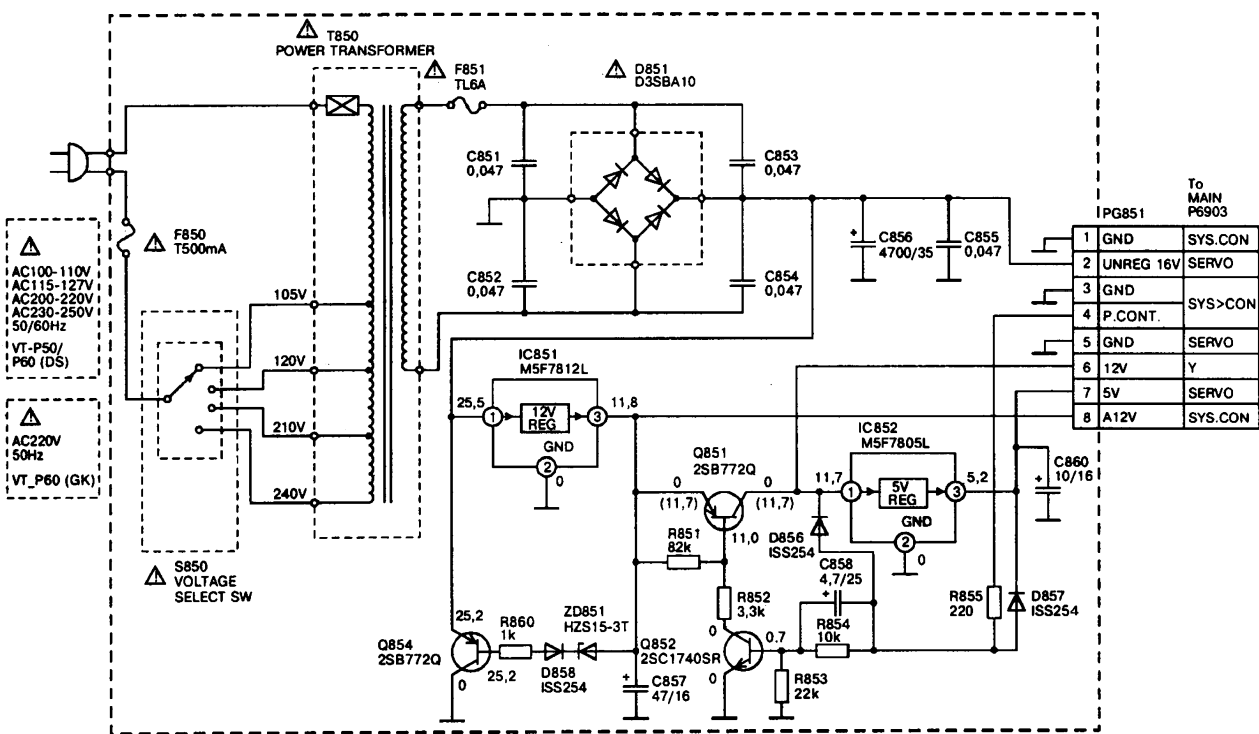
PG812	
12	AC CLOCK
11	AC 5V
10	AC 5V
9	-30V
8	A40V
7	5V
6	12V
5	A12V
4	POWER CONT.
3	GND
2	UNREG 16V
1	GND

RG811	
3	GND
2	5V
1	9.5V

To  
Y  
PG211

AC  
100-110V  
115-127V  
200-220V  
230-250V  
50/60Hz

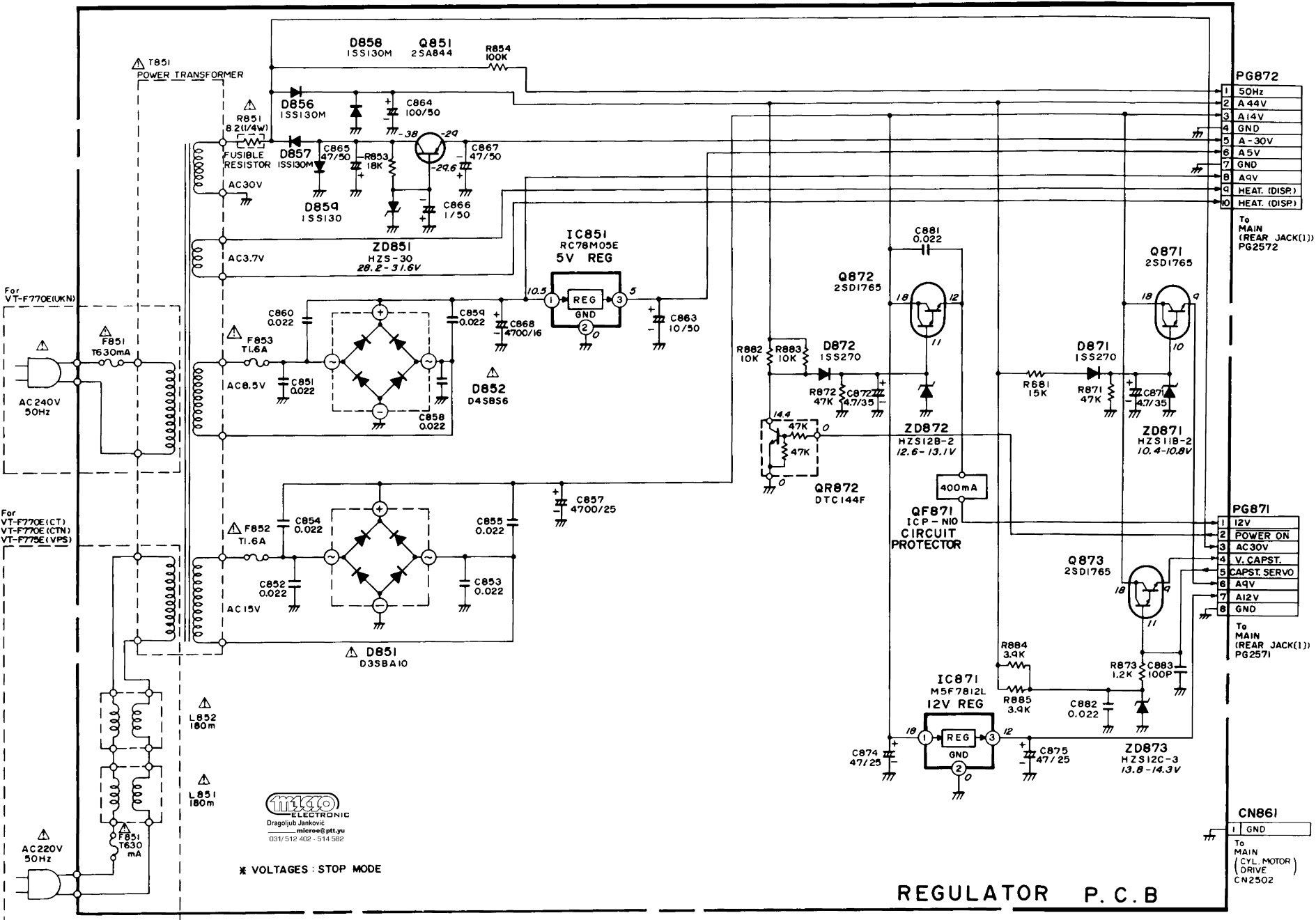








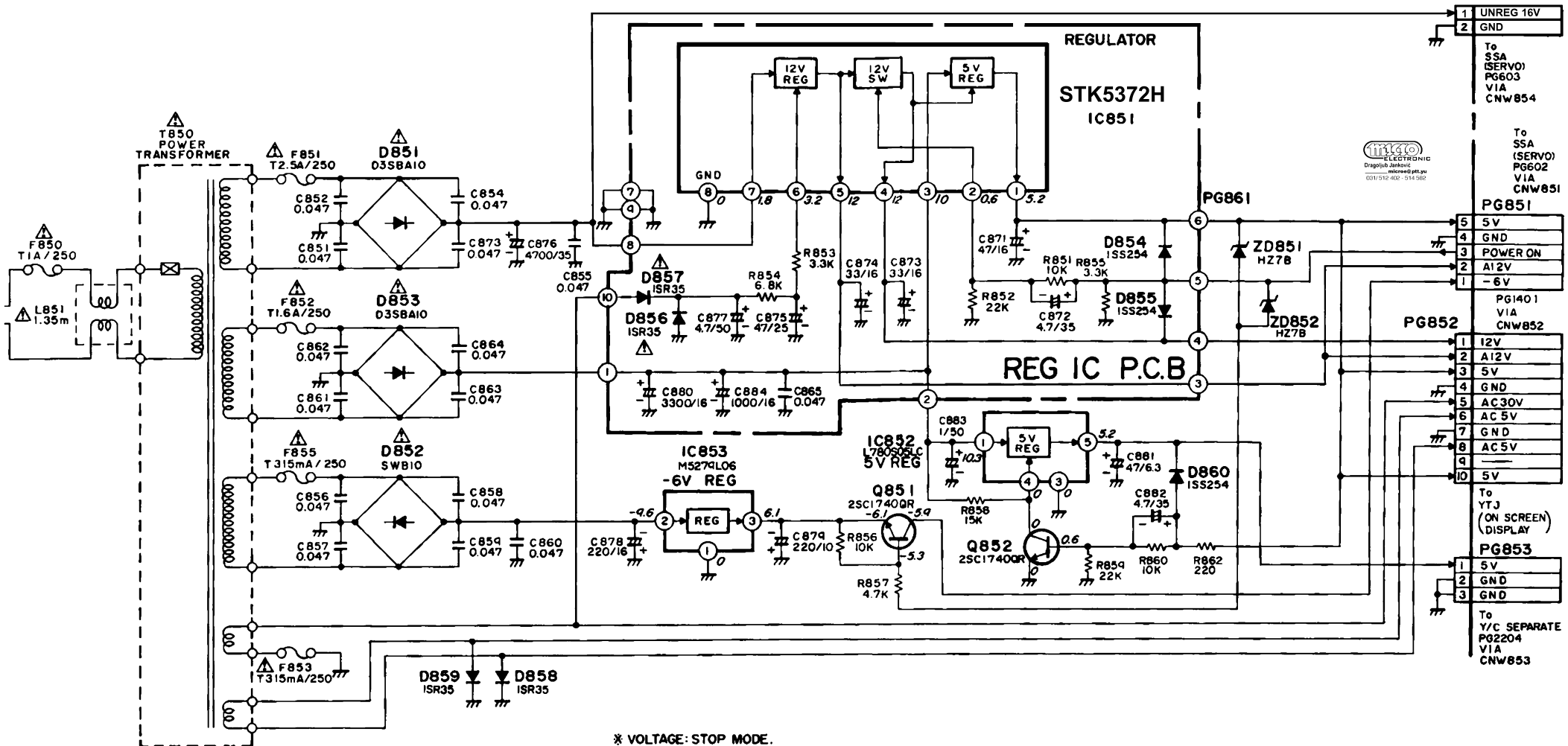




**TRILCO**  
ELECTRONIC  
Dragoljub Jankovic  
microe@pjt.yu  
031/512 402 - 514 992

✱ VOLTAGES : STOP MODE

**REGULATOR P.C.B**



\* VOLTAGE: STOP MODE.

